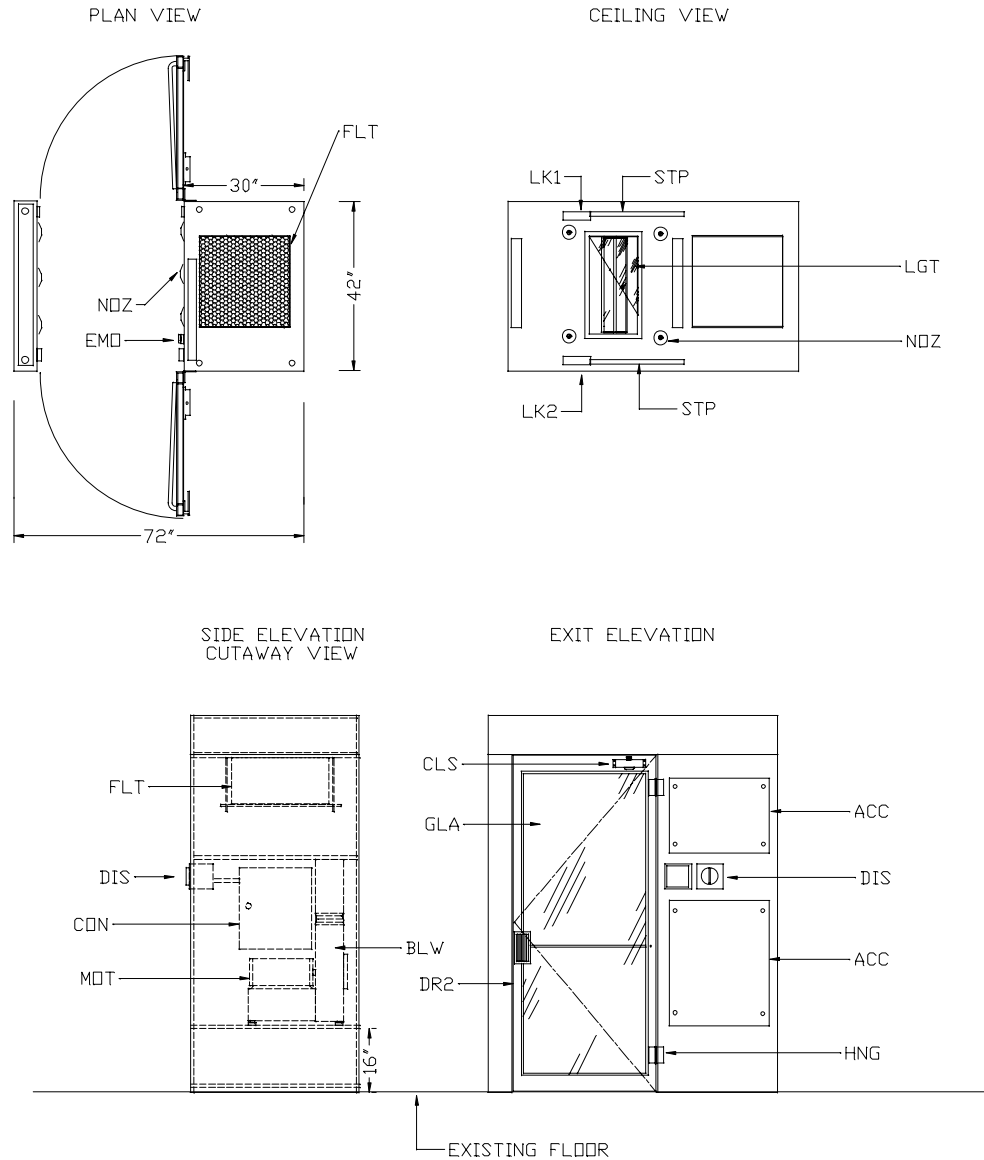


LEGEND

- ACC Access panel for filter.
- BLW Dayton paddle-wheel blower (1500CFM @ 6.2" SP).
- CLS Closer for manual doors.
- CDM Common wire in DC input circuit.
- CDN Control enclosure with major electrical components.
- DCT 8" wire-mold ducting.
- DIS 25 amp disconnect switch with lockout.
- DIF Diffused light panel.
- DR1 Paired aluminum-frame entry door 36" x 84" opening (dirty side).
- DR2 Paired aluminum-frame exit door 36" x 84" opening (clean side).
- EMO Emergency-off switch with N.C. contact.
- FLT 24" X 24" X 12" HEPA filter (99.97% @ .3).
- FLX Flexible conduit for electrical power line.
- GLA 1/4" clear tempered glass for storefront-type doors.
- GRL 30" X 12" grille with white enamel finish.
- HNG Commercial ball-bearing door hinges.
- ISD Neoprene rubber isolators.
- JCT NEMA 1 Junction box
- LGT 2' double-tube fluorescent fixture (.76A @ 120V).
- LK1 Lock for door 1 (.250A @ 24VDC).
- LK2 Lock for door 2 (.250A @ 24VDC).
- MEC Mechanical wall equipment housing.
- MDT 5HP 3-phase motor for main blower.
- MSC Motor starter coil (60mA @ 120V).
- NOZ .875" adjustable nozzle jets (32 in walls, 4 in ceiling).
- PEN Penetration for lag bolts.
- PL1 Plenum for nozzle jets.
- PL2 Plenum for return air.
- PLC Programmable controller (20mA @ 120V).
- PDD 1/2" steel pod for lag bolts.
- PRE 30" X 12" X 1" 30% efficiency prefilter.
- RET Return air ductway.
- RS1 Reed switch for door 1.
- RS2 Reed switch for door 2.
- STP Aluminum doorstop with gasket seal.
- SUP Supply air ductway.
- SWP Drag sweep to seal door bottom.



NOTES:
 1. THE AIR SHOWER IS CONSTRUCTED OF A WOOD CORE WITH A WHITE PLASTIC LAMINATE FINISH
 2. THE POWER PANEL IS PRE-WIRED AT THE FACTORY AND IS TESTED.
 3. THE AIR SHOWER IS NOT SUPPLIED WITH A FLOOR. THE UNIT SITS ON THE EXISTING FLOOR

CONTRACT NO.		COMPANY	
DRAWN BY HSD		ASPT Inc.	
CHECKED BY		TITLE	
DESIGNED BY		LP7248 AIR SHOWER	
DESIGN ACTIVITY		SIZE	DWG NO. / FILE NAME
CUSTOMER		1" = 2'-0"	AS6X07-3
		DATE	SHEET
			1 of 1