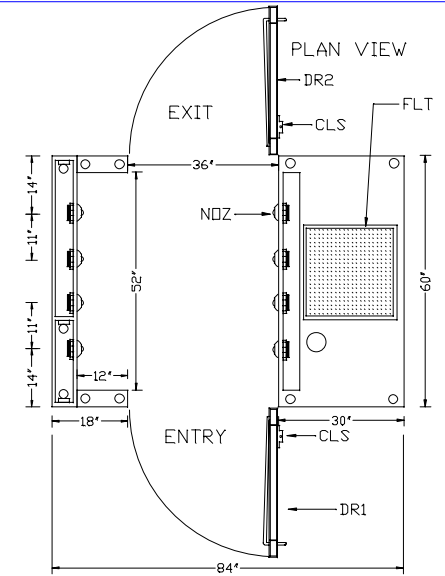
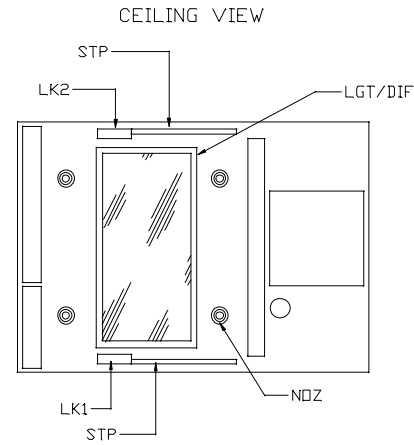
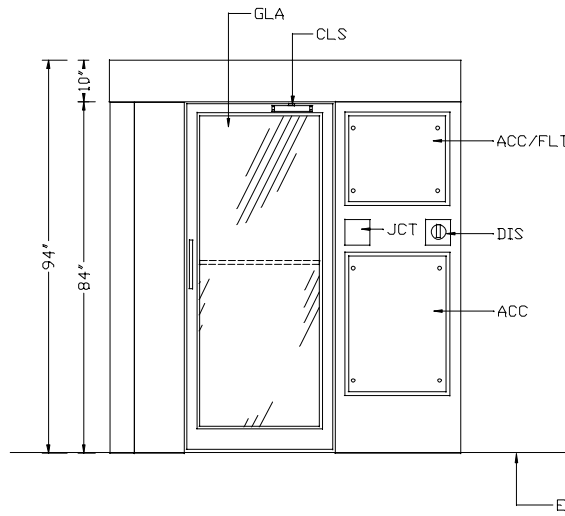


LEGEND

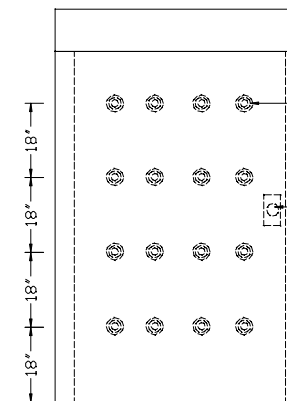
- ACC Access panel for filter.
- BLW Dayton paddle-wheel blower (1500CFM @ 6.2" SP).
- CLS Closer for manual doors.
- CDM NEMA 1 Power Panel Enclosure
- CON Control enclosure with major electrical components.
- DCT 8" wire-mold ducting.
- DIS 25 amp disconnect switch with lockout.
- DIF Diffused light panel.
- DR1 3' 0" X 7' 0" aluminum-frame entry door (dirty side).
- DR2 3' 0" X 7' 0" aluminum-frame exit door (clean side).
- EMD Emergency-off switch with N.C. contact.
- FLT 24" X 24" X 12" HEPA filter (99.97% @ .3).
- FLX Flexible conduit for electrical power line.
- GLA 1/4" clear tempered glass for storefront-type doors.
- GRL 36" X 14" grille with white enamel finish.
- HNG Commercial ball-bearing door hinges.
- ISD Neoprene rubber isolators.
- JCT NEMA 1 Junction box
- LGT 4' double-tube flourescent fixture (.76A @ 120V).
- LK1 Lock for door 1 (.250A @ 24VDC).
- LK2 Lock for door 2 (.250A @ 24VDC).
- MEC Mechanical wall equipment housing.
- MOT SHP 3-phase motor for main blower
- MSC Motor starter coil (60mA @ 120V).
- NOZ .875" adjustable nozzle jets (36 in walls, 4 in ceiling).
- PEN Penetration for lag bolts.
- PL1 Plenum for nozzle jets.
- PL2 Plenum for return air.
- PLC Programmable controller (20mA @ 120V).
- PDD 1/2" steel pod for lag bolts.
- PRE 36" X 14" X 1" 30% efficiency prefilter.
- RET Return air ductway.
- RS1 Reed switch for door 1.
- RS2 Reed switch for door 2.
- STP Aluminum doorstop with gasket seal.
- SUP Supply air ductway.
- SWP Drag sweep to seal door bottom.



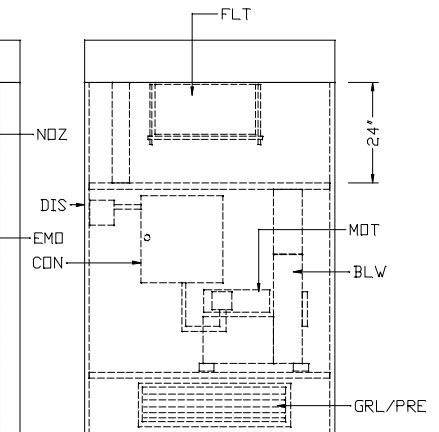
ENTRY ELEVATION



SIDE WALL ELEVATION



SIDE MECHANICAL ELEVATION



NOTES:

1. THE AIR SHOWER IS CONSTRUCTED OF A WOOD CORE WITH A WHITE PLASTIC LAMINATE FINISH. ALL CUT OUTS ARE SEALED.
2. THE AIR SHOWER IS PRE-WIRED AT THE FACTORY AND IS TESTED. THE PANEL IS CONNECTED TO A JUNCTION BOX BELOW THE FILTER ACCESS PANEL. THIS IS THE 3 PHASE POWER CONNECTION POINT
3. VELOCITY SHALL BE MINIMUM 7000 FEET PER MINUTE AT FACE OF NOZZLE

| | | | |
|-----------------|--|-------------------|---------------------|
| CONTRACT NO. | | COMPANY | |
| DRAWN BY HSD | | ASPT Inc. | |
| CHECKED BY | | TITLE | |
| DESIGNED BY | | LP8460 AIR SHOWER | |
| DESIGN ACTIVITY | | SIZE | BWG NO. / FILE NAME |
| CUSTOMER | | A | ASX605-1 |
| | | SCALE | DATE |
| | | 1" = 2'-0" | SHEET |
| | | | 1 of 1 |