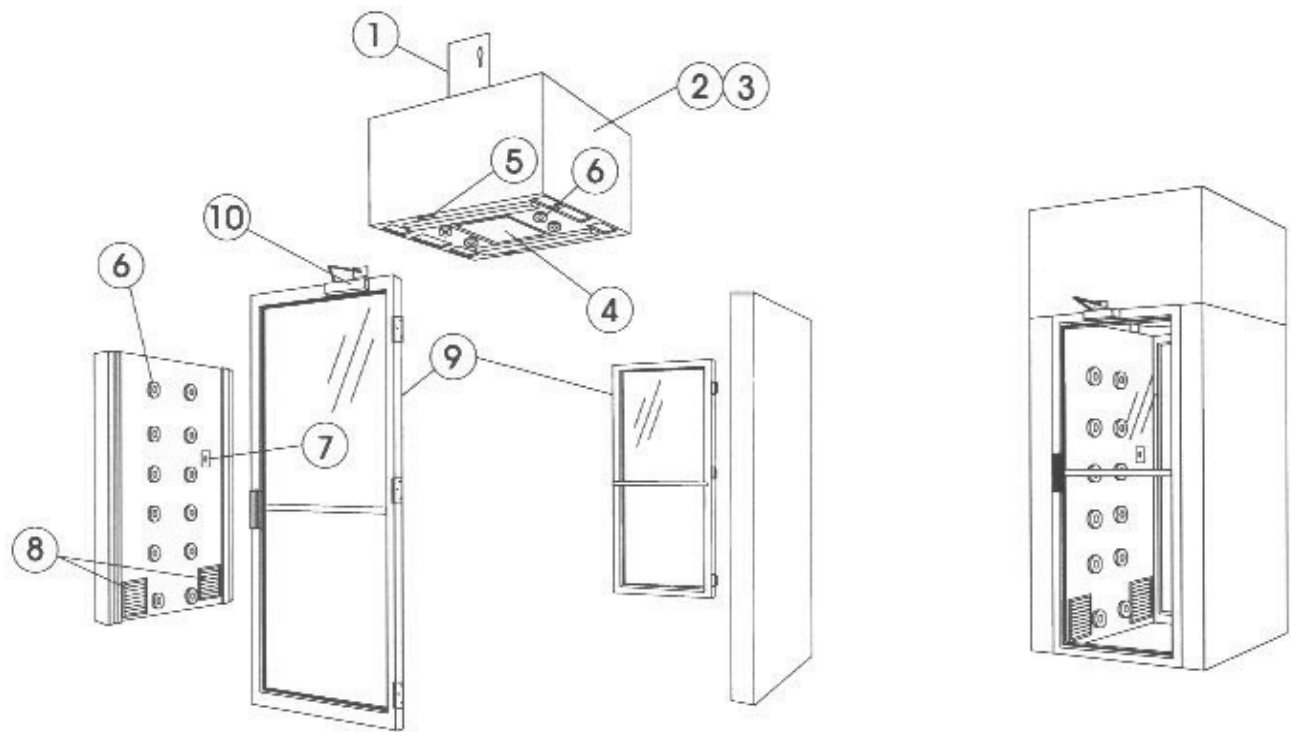


# “SD” STANDARD AIR SHOWER



**EXPLODED VIEW**

**ISOMETRIC VIEW**

## LEGEND

- |    |                           |     |   |
|----|---------------------------|-----|---|
| 1. | POWER PANEL               | 6.  | AIR NOZZLES   |
| 2. | DIRECT DRIVE BLOWER       | 7.  | EMERGENCY STOP/RESET SWITCH                                       |
| 3. | 99.99% HEPA FILTER        | 8.  | RETURN AIR GRILLE WITH PRE-FILTER                                 |
| 4. | FLUORESCENT LIGHT FIXTURE | 9.  | CLEAR ANODIZED ALUMINUM DOOR FRAME WITH 1/4" CLEAR TEMPERED GLASS |
| 5. | DOOR SENSORS & LOCKS      | 10. | DOOR CLOSERS  |



www.airshower.com  
**AIR SHOWERS & PASS THRUS UNLTD, INC**  
Designers & Manufacturers  
PO Box 427 Rancho Cucamonga, CA 91729-0427  
(800) 913-0054 Fax: (909) 483-1801

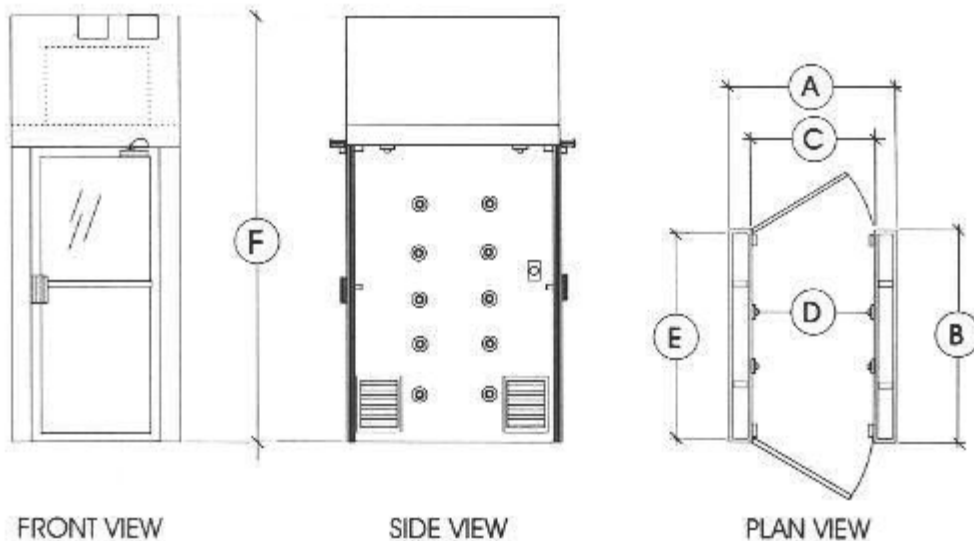
## MODEL SD AIR SHOWER TABULAR DATA

MODEL NUMBER	SD4842	SD4848	SD4860	SD6060	SD4872	SD6072	SD4896
WIDTH (A)	48"	48"	48"	60"	48"	60"	48"
LENGTH (B)	42"	48"	60"	60"	72"	72"	96"
DOOR WIDTH (C)	36"	36"	36"	36"	36"	36"	36"
INTERIOR NET WIDTH* (D)	36"	36"	36"	48"	36"	48"	36"
INTERIOR NET LENGTH ** (E)	38"	44"	56"	56"	68"	68"	92"
EXTERIOR HEIGHT (F)	119"	119"	119"	119"	119"	119"	119"
NUMBER OF NOZZLES	24	24	36	36	36	36	36
BLOWER HP	3	3	5	5	5	5	5
NUMBER OF BLOWERS	1	1	1	1	1	1	1
BLOWER CFM @ SYSTEM STATIC	850	850	1500	1500	1500	1500	1500
MOTOR FLA @ 208-230 VAC 3 PHASE***	8	8	13	13	13	13	13
MOTOR FLA @ 440-480 VAC 3 PHASE ***	4	4	6.5	6.5	6.5	6.5	6.5
APPROXIMATE SHIPPING WEIGHT	1550	1790	1900	2150	2300	2500	3050

\* FROM FACE OF WALL TO FACE OF WALL EXCLUDING PROTRUSIONS OF NOZZLES AND GRILLES

\*\* FROM FACE OF DOOR TO FACE OF DOOR EXCLUDING PUSH BARS

\*\*\* PER BLOWER MOTOR



### AVAILABLE OPTIONS

ADDITIONAL EMERGENCY STOP STATIONS  
 AUDIBLE ALARM  
 SPECIAL SIZE DOORS  
 PASSAGE LATCH FOR DOORS  
 ALUMINUM HONEYCOMB CONSTRUCTION

GAUGES FOR FILTERS  
 VFD DRIVES (FOR BLOWER)  
 VLF (LAMINAR FLOW CEILING)  
 PAINTED STEEL CONSTRUCTION  
 304 STAINLESS STEEL CONSTRUCTION