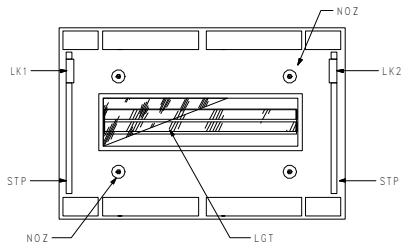
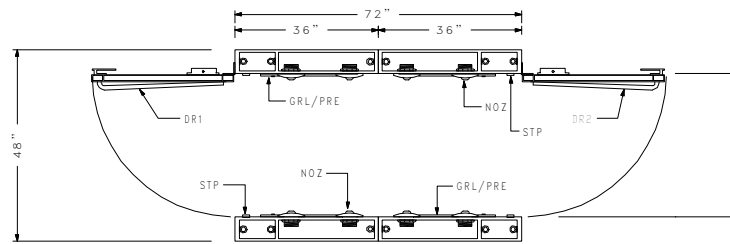


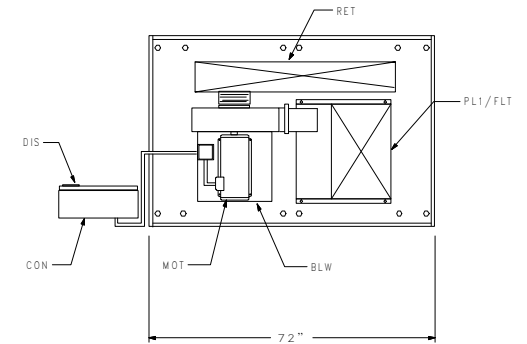
CEILING VIEW



PLAN VIEW



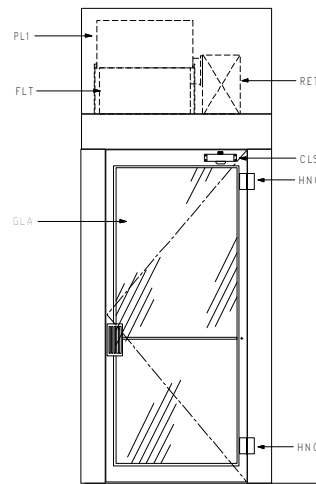
ROOF VIEW



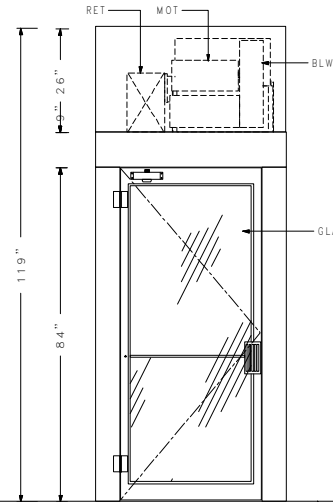
LEGEND

- ACC Access panel for filter.
- BLW Dayton paddle-wheel blower (1500CFM @ 6.2" SP).
- CLS Closer for manual doors.
- COM Common wire in DC input circuit.
- CON Control enclosure with major electrical components.
- DCT 8" wire-mold ducting.
- DIS 25 amp disconnect switch with lockout.
- DIF Diffused light panel.
- DR1 3' 0" X 7' 0" aluminum-frame entry door (dirty side).
- DR2 3' 0" X 7' 0" aluminum-frame exit door (clean side).
- EMO Emergency-off switch with N.C. contact.
- FLT 24" X 24" X 12" HEPA filter (99.99% @ .3).
- FLX Flexible conduit for electrical power line.
- GLA 1/4" clear tempered glass for storefront-type doors.
- GRL 24" X 12" grille with white enamel finish.
- HNG Commercial ball-bearing door hinges.
- ISO Neoprene rubber isolators.
- JCT NEMA 1 Junction box
- LGT 4' double-tube fluorescent fixture (.76A @ 120V).
- LK1 Lock for door 1 (.250A @ 24VDC).
- LK2 Lock for door 2 (.250A @ 24VDC).
- MEC Mechanical wall equipment housing.
- MOT 5HP 3-phase motor for main blower
- MSC Motor starter coil (60mA @ 120V).
- NOZ .875" adjustable nozzle jets (32 in walls, 4 in ceiling).
- PEN Penetration for lag bolts.
- PL1 Plenum for nozzle jets.
- PL2 Plenum for return air.
- PLC Programmable controller (20mA @ 120V).
- POD 1/2" steel pod for lag bolts.
- PRE 24" X 12" X 1" 30% efficiency prefilter.
- RET Return air ductway.
- RS1 Reed switch for door 1.
- RS2 Reed switch for door 2.
- STP Aluminum doorstop with gasket seal.
- SUP Supply air ductway.
- SWP Drag sweep to seal door bottom.

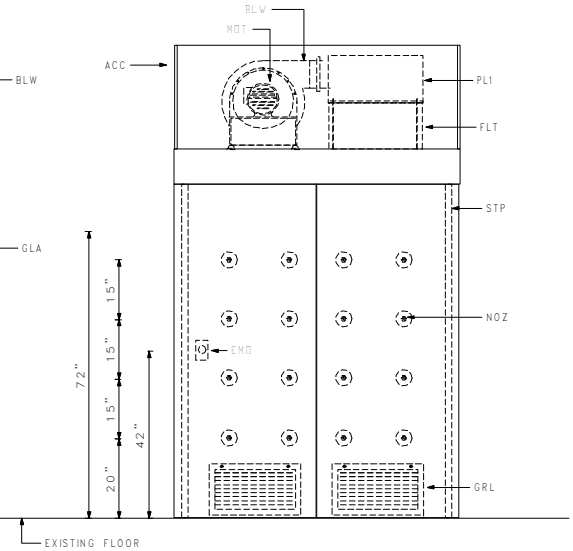
EXIT ELEVATION



ENTRY ELEVATION



SIDE ELEVATION



NOTES:

1. THE AIR SHOWER IS CONSTRUCTED OF A WOOD CORE WITH A WHITE PLASTIC LAMINATE FINISH. ALL CUT OUTS ARE SEALED.
2. THE POWER PANEL IS PRE-WIRED AT THE FACTORY AND IS TESTED. THE PANEL IS CONNECTED TO 8 FEET OF SEAL TIGHT FLEX. THE PANEL IS TO MOUNTED TO AN ADJACENT WALL DURING INSTALLATION.

|                 |  |                   |                      |
|-----------------|--|-------------------|----------------------|
| CONTRACT NO.    |  | COMPANY           |                      |
| DRAWN BY HSD    |  | ASPT Inc.         |                      |
| CHECKED BY      |  | TITLE             |                      |
| DESIGNED BY     |  | SD4872 AIR SHOWER |                      |
| DESIGN ACTIVITY |  | SIZE              | DWG. NO. / FILE NAME |
| CUSTOMER        |  | A                 | ASSD4872WP           |
|                 |  | SCALE             | DATE                 |
|                 |  | 1" = 2'-0"        |                      |
|                 |  |                   | SHEET                |
|                 |  |                   | 1 of 1               |